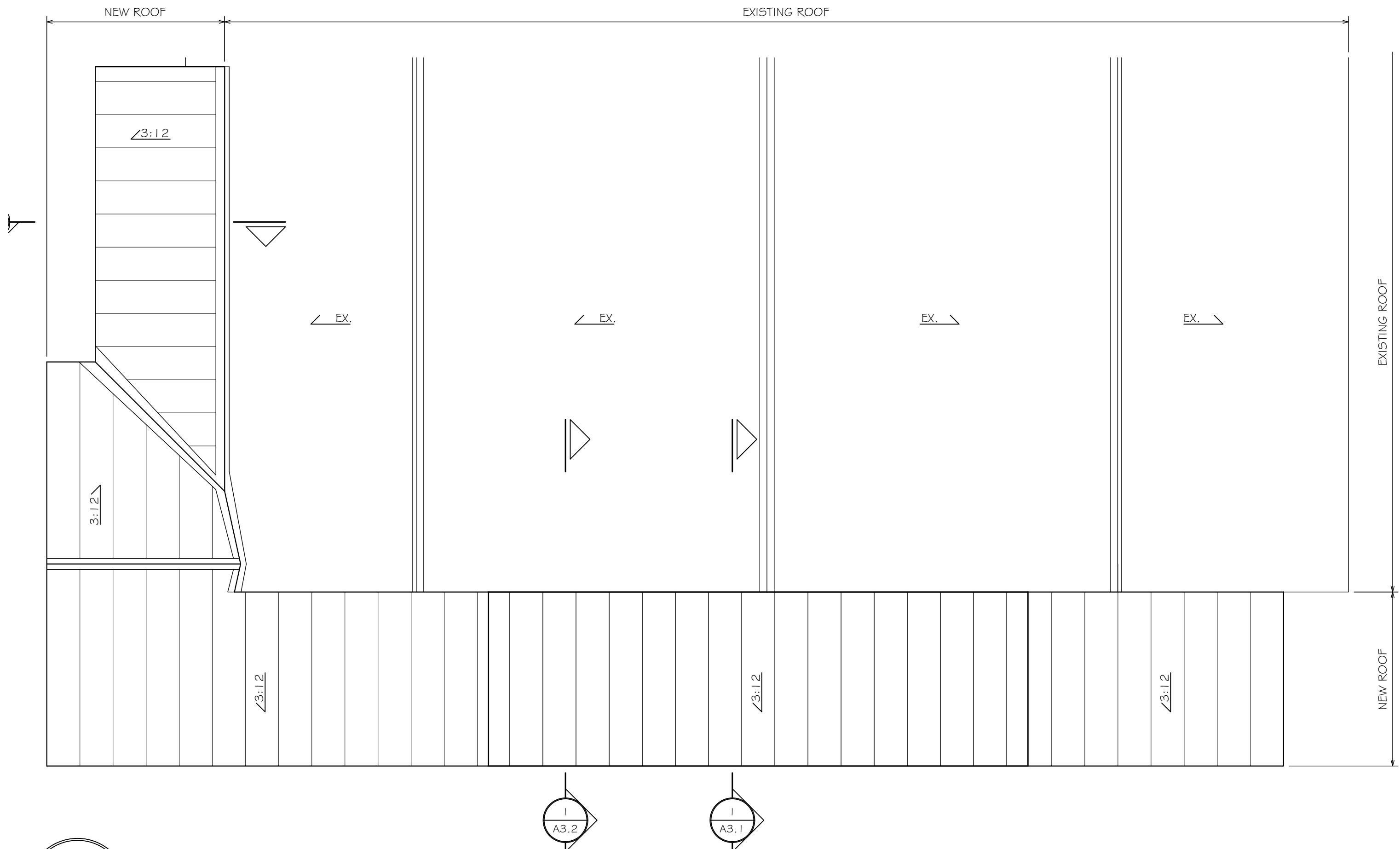
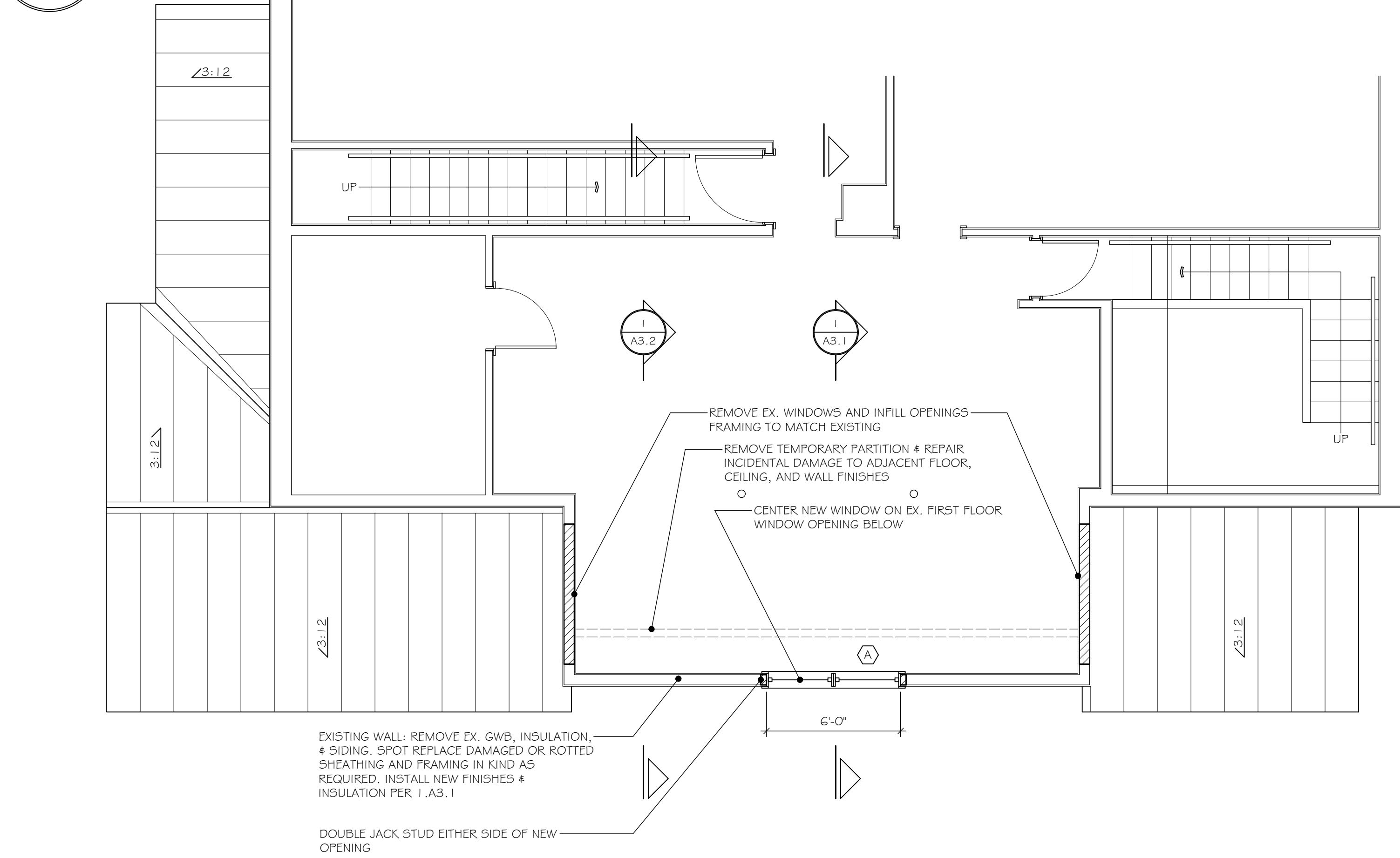


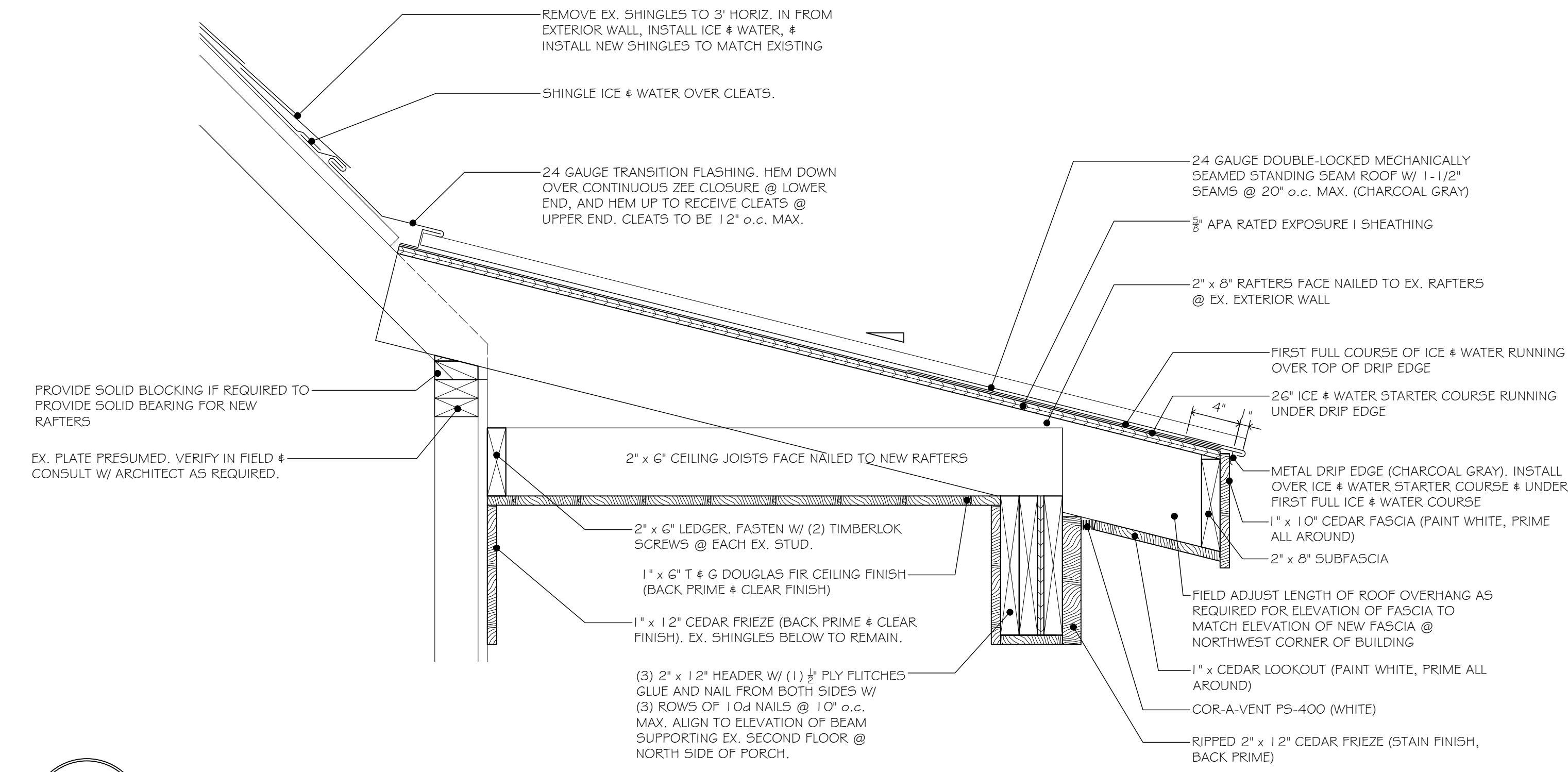
1
A1.1
FIRST FLOOR PLAN
1/4"=1'-0"



3
A1.1
ROOF PLAN
1/4"=1'-0"



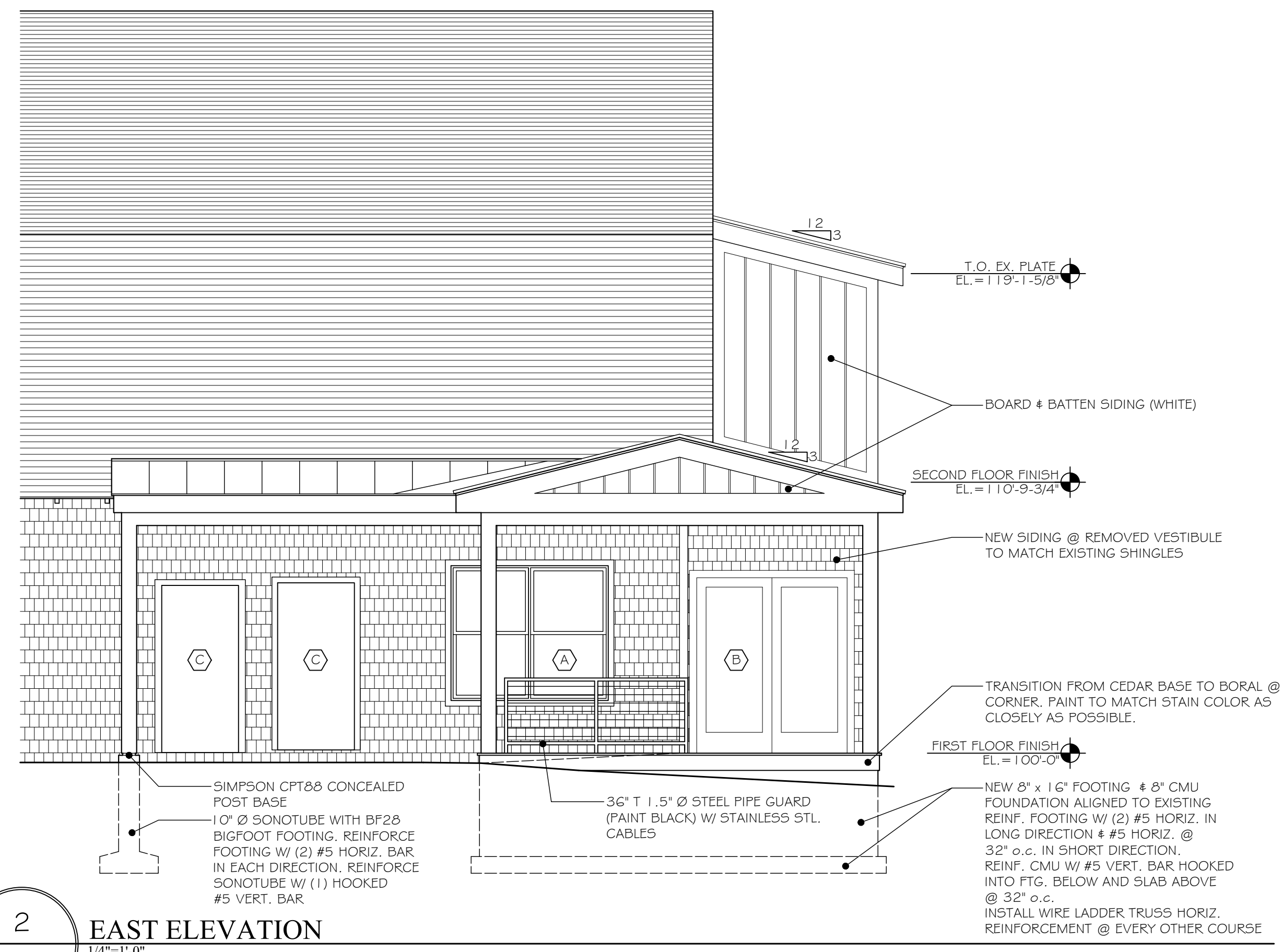
2
A1.1
SECOND FLOOR PLAN
1/4"=1'-0"



4
A1.1
ROOF DETAIL
1/4"=1'-0"



1 NORTH ELEVATION
1/4"=1'-0"



2 EAST ELEVATION
1/4"=1'-0"

ALCA PORCH RENOVATION

Blue Mountain Lake, New York

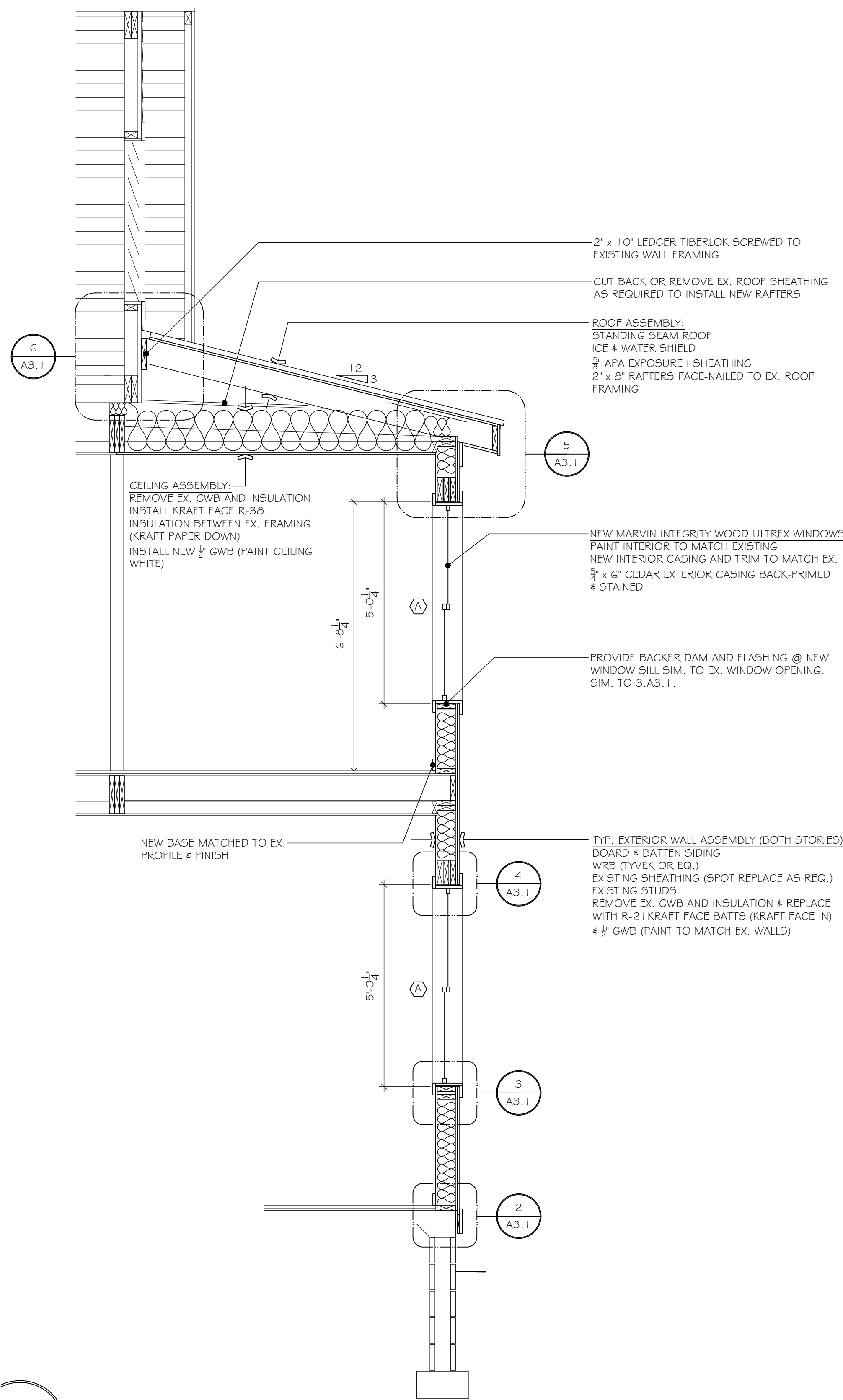
FROST HURFF ARCHITECTS

51 Long Alley
New York, New York 12866
Phone: 518-684-7514
Fax: 518-684-7523

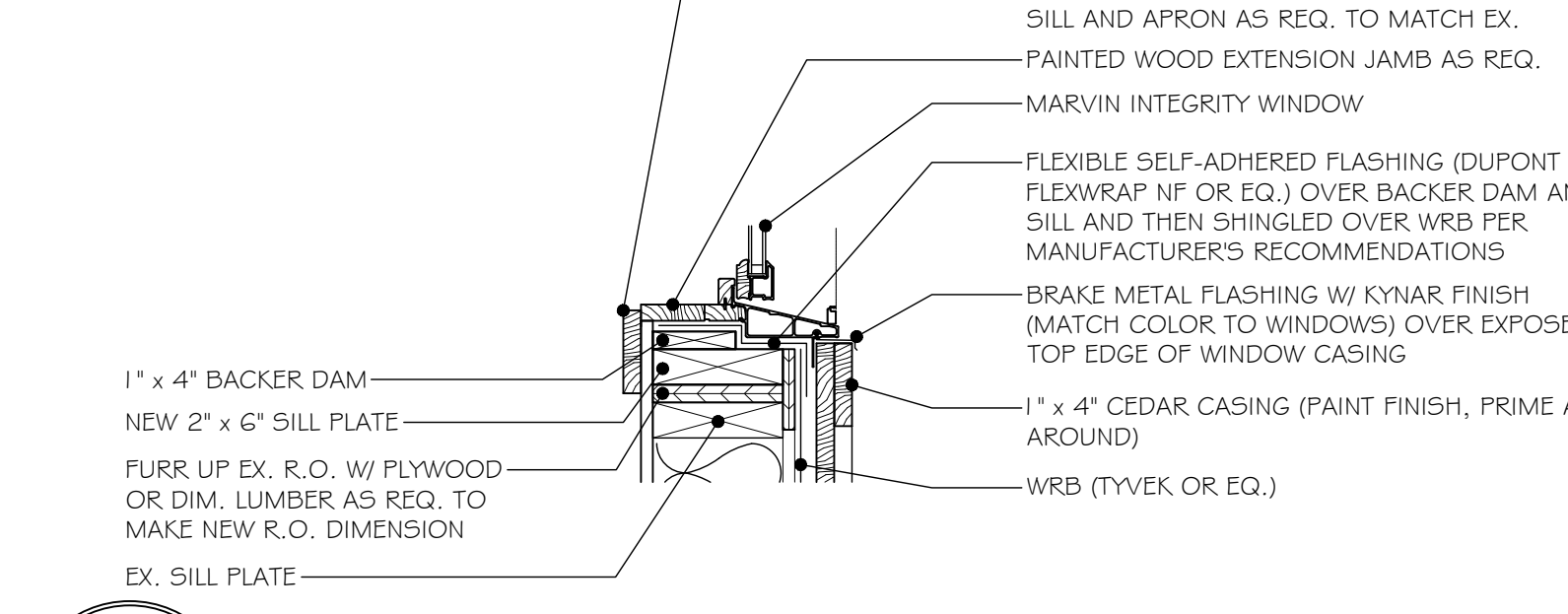
SCALE: 1/4"=1'-0"
DATE: 6.13.19
REVISIONS:

ELEVATIONS

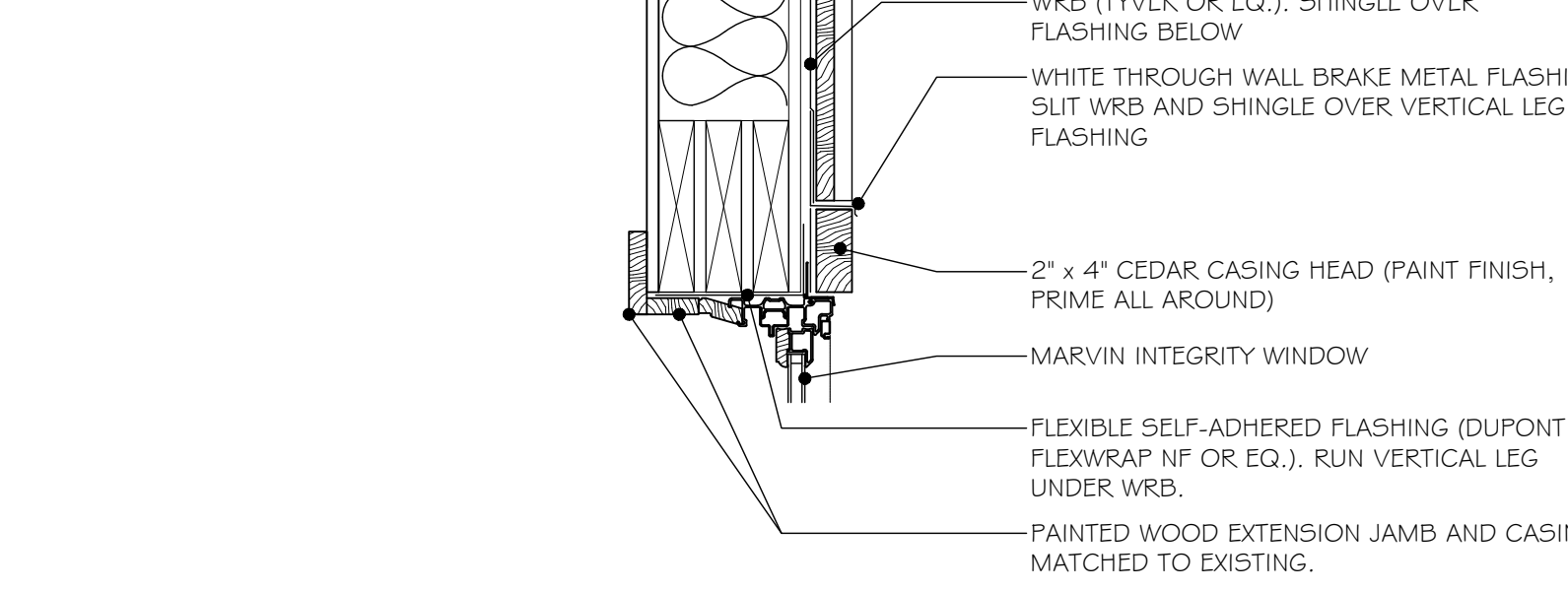
A2.1



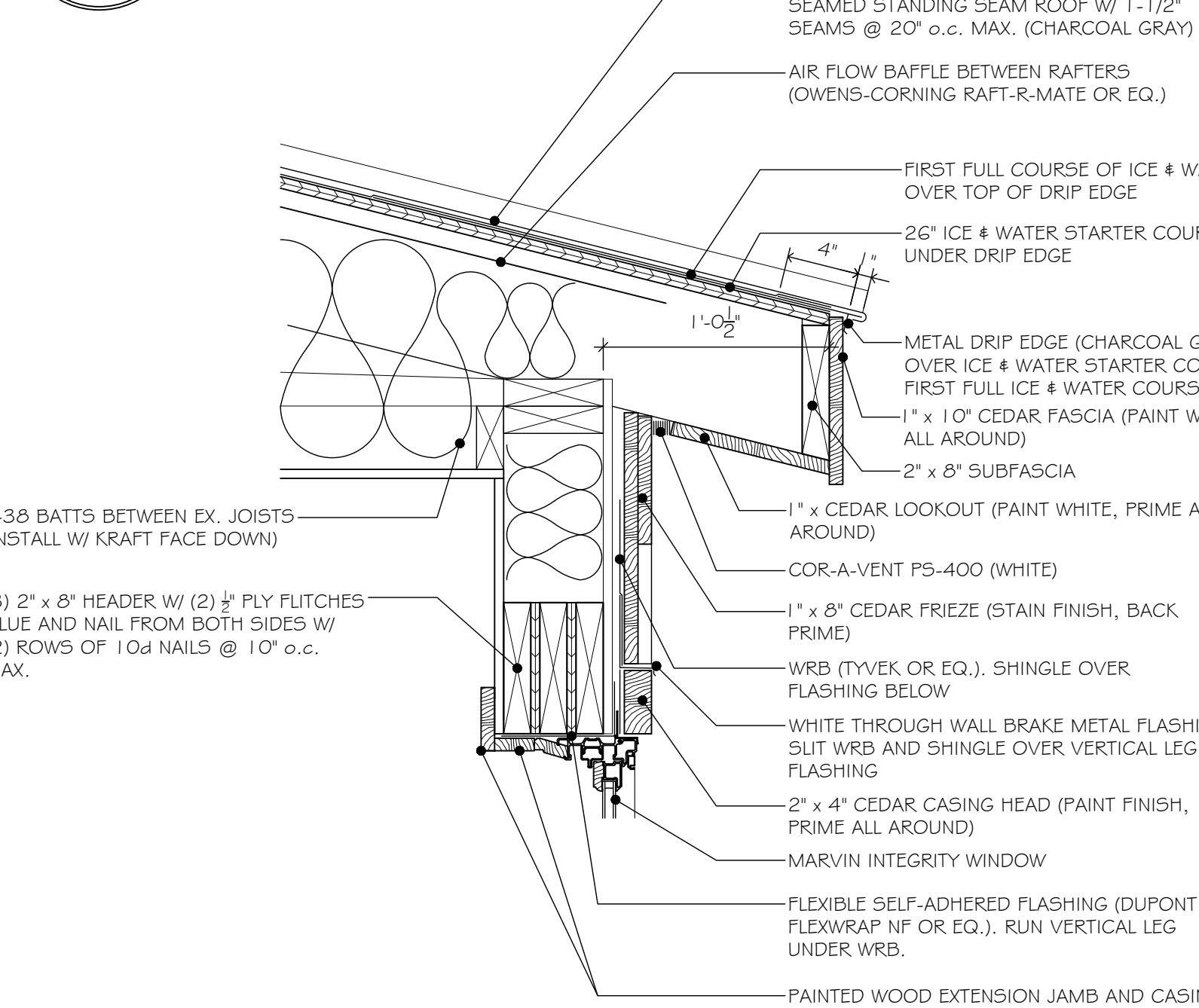
2 WALL BASE DETAIL
 1-1/2"=1'-0"



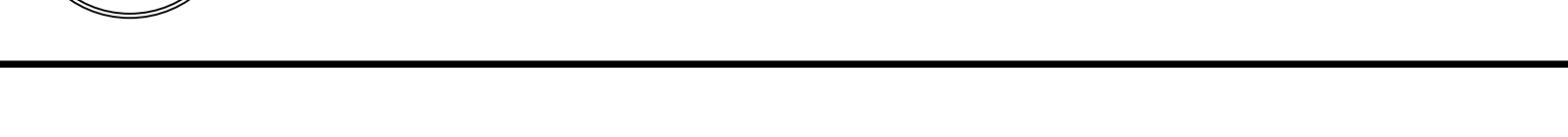
3 EX. WINDOW SILL DETAIL (NEW SILL SIM.)
 1-1/2"=1'-0"



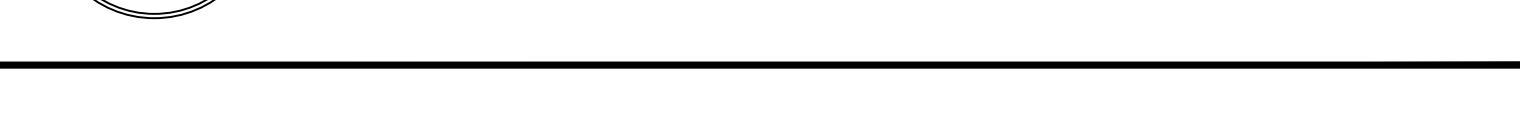
4 EX. WINDOW HEAD DETAIL
 1-1/2"=1'-0"



5 EAVE & NEW WINDOW HEAD DETAIL
 1-1/2"=1'-0"



6 ROOF-END WALL DETAIL
 1-1/2"=1'-0"



1 BUILDING SECTION
 1/2"=1'-0"

